

# WORLDWIDE NETWORK

12 Overseas Subsidiaries and Business Partners in over 80 countries.

**EUROPE** Belgium, Bulgaria, Czech, Croatia, Cyprus, France, Germany, Greece, Hungary, Lithuania, Moldova, Austria, Netherlands, Poland, Portugal, Romania, Russia, Slovenia, Slovakia, Spain, Switzerland, Sweden, Turkey, Ukraine, UK

**ASIA** Bangladesh, Brunei, China, Hong Kong, India, Indonesia, Japan, Malaysia, Pakistan, Philippines, Singapore, Sri Lanka, Taiwan, Thailand, Vietnam

**SOUTH AMERICA** Argentina, Bolivia, Brazil, Chile, Colombia, Nicaragua, Paraguay, Peru, Venezuela, Dominican Republic, Ecuador

**NORTH AMERICA** Canada, Mexico, U.S.A.

**OCEANIA** Australia

**MIDDLE EAST, AFRICA** Iran, Iraq, Israel, Jordan, Kuwait, Lebanon, Syria, Saudi Arabia, Qatar, U.A.E, Yemen, Egypt, Oman, Palestine, Bahrain, Morocco, Libya, Sudan, Algeria, Tunisia, Kenya, Nigeria, Zambia, Tanzania, Uganda, South Africa



Regional Head Office   Subsidiary   Office



**PaX-i**

Your Partner  
in Digital Success

# Your Partner in Digital Success, PaX-i



1

## Superior Image Quality

- Optimal image for accurate diagnosis

2

## Two Built-In Sensors

- Specialized sensors for Pano & Ceph
- Streamlined workflow and prolonged lifespan of sensors

3

## Easy and Simple Software, EzDent-i

- Easy to learn, easy to use
- User-oriented interface and powerful consulting tools

4

## Modern and Compact Design

- Raise design value of your clinic
- Save installation space in your clinic





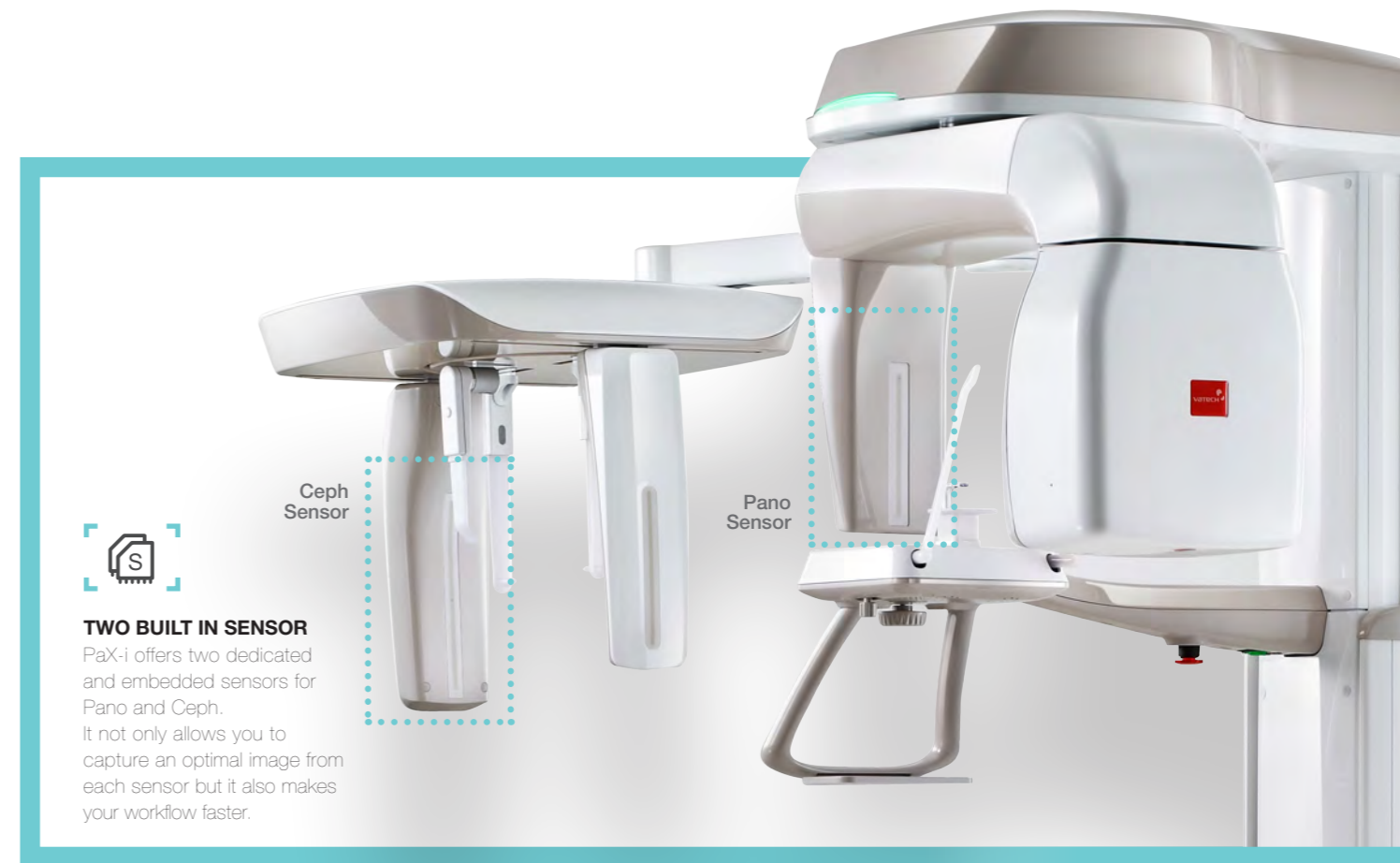
# ADVANCED IMAGE SOLUTION FOR ACCURATE DENTAL DIAGNOSIS

PaX-i provides the most precise and high quality panoramic image by innovative imaging process and accumulated experience in dental imaging from VATECH. It improves your diagnostic accuracy with increased treatment planning and patient satisfaction.



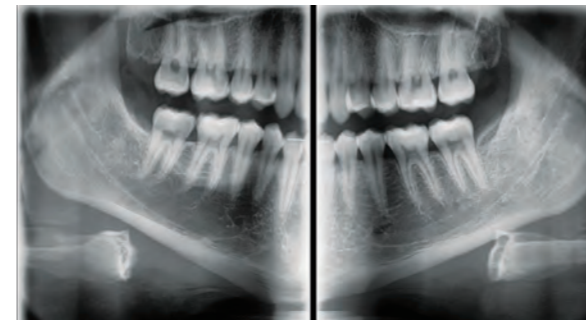
## New standard of panoramic image

Clear and sharp panoramic image brings you better diagnostics. Enhanced details especially in the anterior and dental roots can be viewed. These consistently high quality images will become the new standard of panoramic imaging.

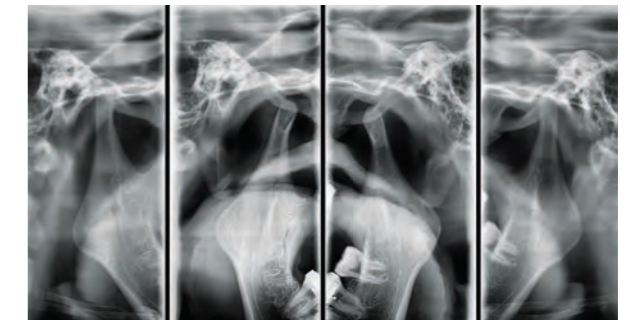


## Make your diagnosis easy and efficient with various capture modes

PaX-i has various capture modes to meet your diagnostic needs. You can choose any capture mode based on the purpose of your diagnostic needs.



Bitewing mode



TMJ mode

SECTION	ARCH	EXAMINATION MODE
<b>PANO EXAMINATION</b>	Narrow / Normal Wide / Child	Standard / Right / Front / Left
	Orthogonal	Orthogonal Standard / Right / Front / Left Bitewing Standard / Right / Front / Left
<b>SPECIAL EXAMINATION</b>	Normal	TMJ LAT Open / Close TMJ PA Open / Close Sinus LAT / PA



# ADVANCED IMAGE SOLUTION FOR ORTHODONTIC DIAGNOSIS

EXTENEN DIAGNOSTIC VALUE FOR WILE INSIGHT

## Cephalometric (Scan Ceph)

PaX-i provides optimal images with an exclusively designed sensor for cephalometric diagnosis. As it offers two image sizes, LAT and Full LAT, you can choose one of them based on the purposes of your diagnostic needs.

LATERAL



**LATERAL**

Provide specialized high quality images to suit orthodontics and maxillofacial surgeries.

FULL LATERAL



**FULL LATERAL**

Full lateral image size is 30% wider and shows the occipital area of the patient, which enables comprehensive diagnosis.

Examination Program	Scan Time (sec.)	Image Size
LATERAL	12.9	21X23cm (8.3X9.1")
FULL LATERAL	16.9	27X23cm (10.6X9.1")



### ONE SHOT CEPH

With One Shot Ceph, you can acquire high quality images with low X-ray dosage. Plus, short scan time reduces motion artifacts remarkably.

## Cephalometric (One Shot type)

Superior image quality will be delivered using the a-Si TFT sensors. It provides up to three different image sizes in LAT and PA modes reducing unnecessary X-ray dose for patients. It makes your diagnosis more professional.

LATERAL

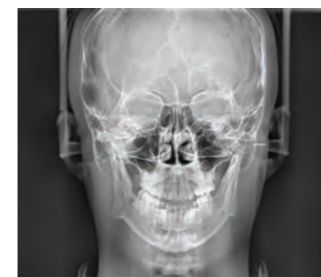
23X25cm (9X10")



30X25cm (12X10")



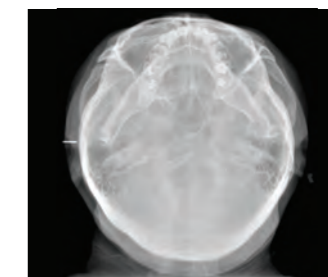
PA



Carpus



SMV (Submentovertex)







# ADVANCED DIAGNOSTIC SOFTWARE

## EASY TO LEARN, EASY TO USE

EzDent-i will make your diagnosis easier and more professional. This innovative software is easy to learn and use which will save your time and increase productivity.

### 1 Simple Tool Bar

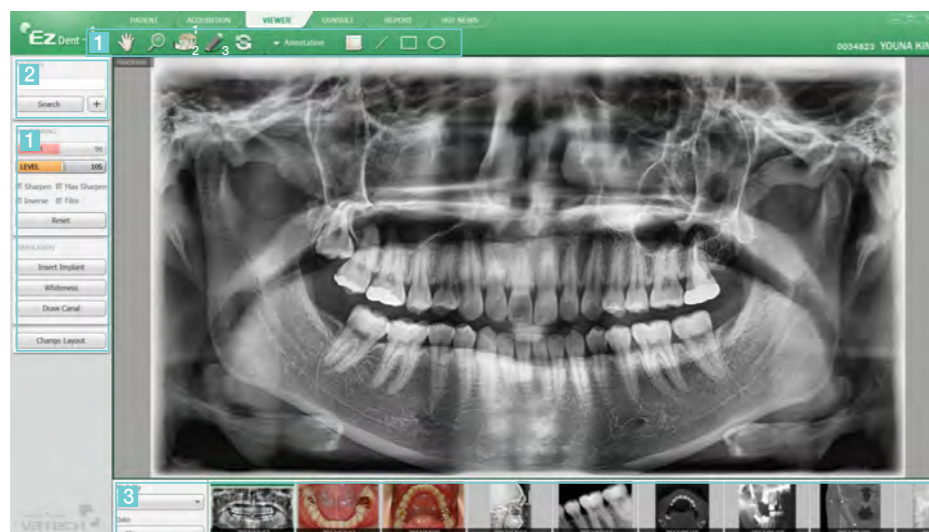
Well-organized tool bar with intuitive icons makes your workflow faster and simpler. They are placed in an easy to follow diagnostic sequence.

### 2 Patient Search

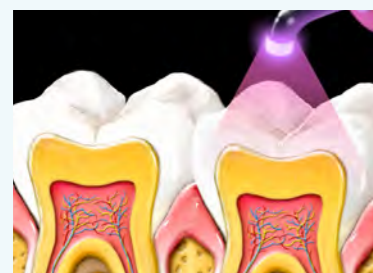
The patient search box is fixed on the screen so you no longer need to move to the 'patient' tab to search for a new patient.

### 3 Drag & Drop

All patient images are displayed along the bottom of the screen. Simply find the image you need and then click, drag and drop it into place. That's simple.



## EzCodi Powerful Communication Tool



Sealant



Implant Treatment

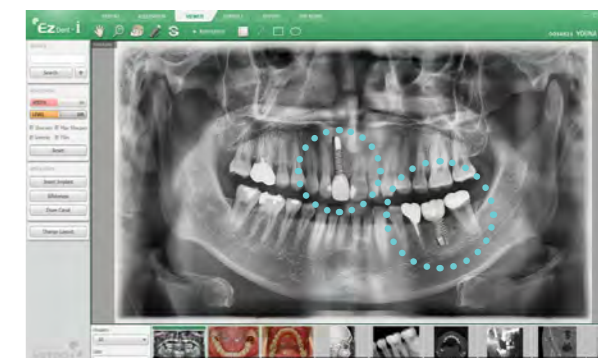
### ▪ EzCodi provides approximately 200 treatment process animations

These useful and effective tools will not only increase patient's understanding but also increase case acceptance.



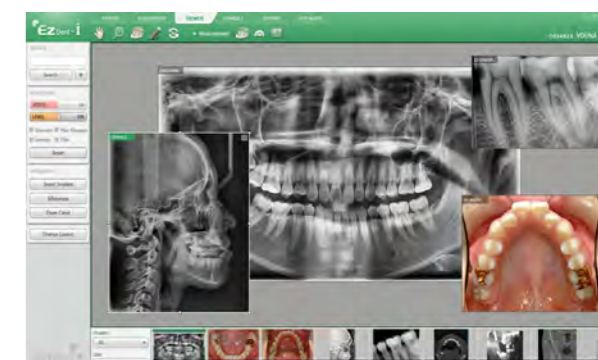
## Quick Implant Simulation

Just two steps are needed for implant simulation.  
1. Measure 2. Select tooth number  
Also, a virtual crown will make the simulation more effective.



## Scatter View

It is possible to create any layout you desire. Simply select the image from the thumbnail view and then drag and drop it into place. You can simply move, resize and view the image exactly the way you want.



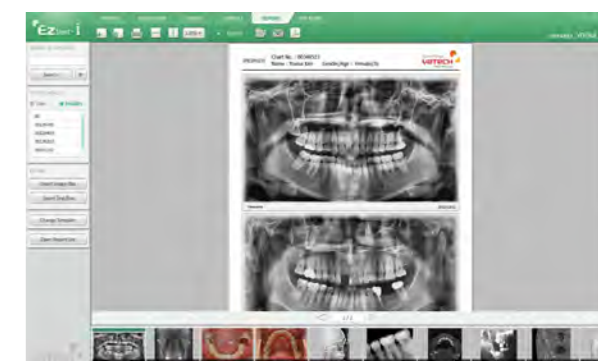
## Full Size Screen

EzDent-i provides wider image without showing any icon and letter on it. However, you can also use all tools and load the other image by moving the cursor to the left or the bottom of the screen.



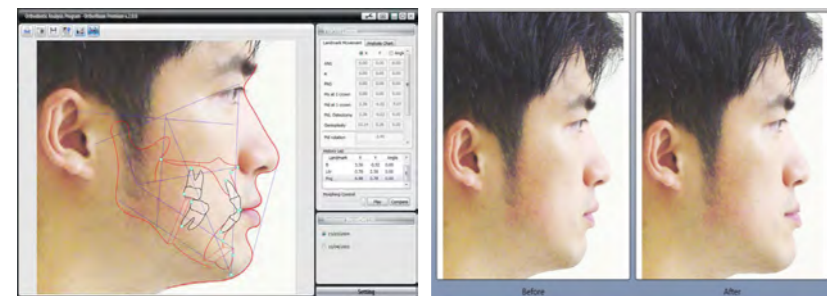
## Special Report

With various reporting functions and reporting modes to choose from, it is simple to create an electronic PDF report as well as email images fast and easily.



# ADVANCED SOLUTION FOR ORTHODONTIC TREATMENT

OrthoVision offers you precise orthodontic analysis as well as perfect simulation every time. With easy-to-use features and functions, you will have more time for case presentation and increase case acceptance.

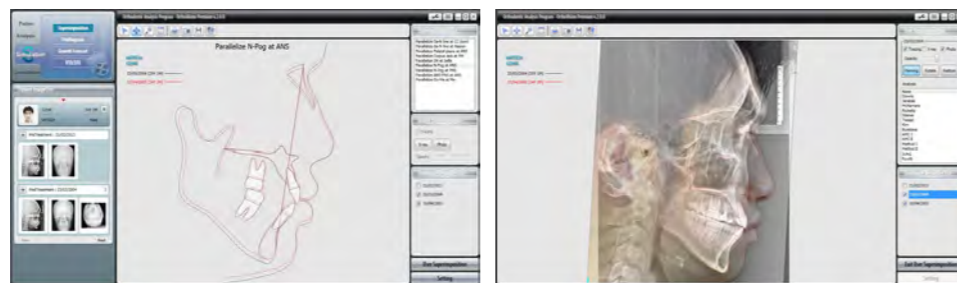


### VTO / STO

- It allows you to plan, diagnose and present case from the lateral view easily and accurately.
- Also, it helps to increase patient understanding and case acceptance with virtual treatment planning and predictions.

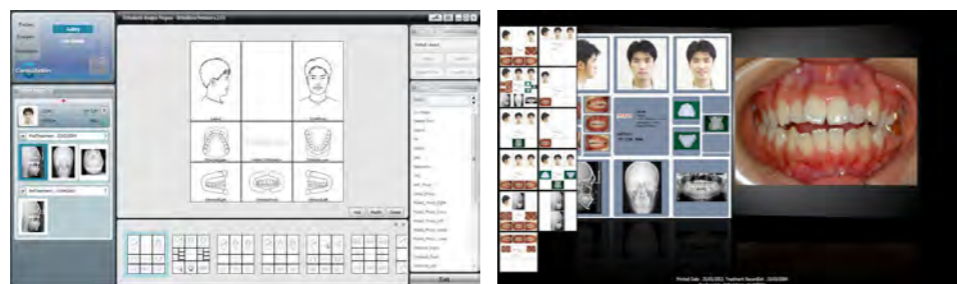
### Superimposition

- Superimposition is the key to orthodontic planning along with the ability to measure and analyze orthodontic treatment over time.



### Gallery

- With various modes and functions, consulting will be easier and more effective.
- Custom gallery can be created to fit your capture and viewing needs.



## PRODUCT CONFIGURATION

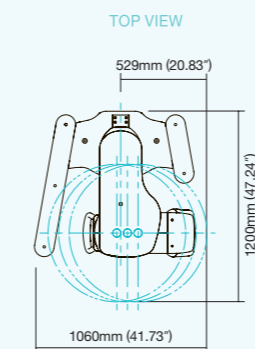
	PANO	CEPH	
		SCAN	ONE SHOT
PaX-i	•	-	-
PaX-i SC	•	•	-
PaX-i OS	•	-	•
PaX-i OP	•	-	•

## SPECIFICATION (PaX-i : PCH-2500)

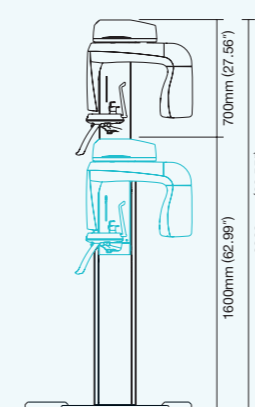
Function	Pano + Ceph	Ceph FOV Size	SC 21X23cm (8.3X9.1") [LAT,PA,SMV,Waters View,Carpus] 27X23cm (10.6X9.1") [Full LAT]
Scan Time	Pano : HD 13.5 sec / Normal 10.1 sec Ceph : Scan 12.9 sec / One-shot 0.9 sec		OS 23x25cm (9X10") [LAT,PA,SMV,Waters View,Carpus] OP 30x25cm (12X10") [LAT,PA,SMV,Waters View,Carpus]
Focal Spot	0.5mm	Gray Scale	14 bit
Tube Voltage/Current	50-90 kVp / 4-10 mA	Patient Positioning	Standing / Wheel-Chair Accessible

## DIMENSIONS

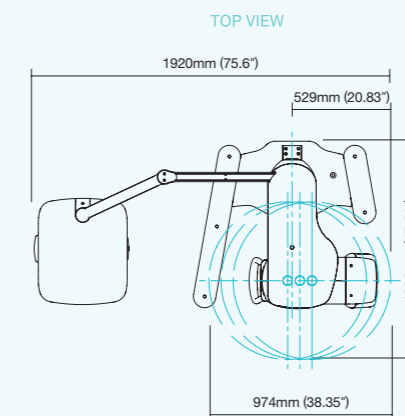
### PaX-i Pano



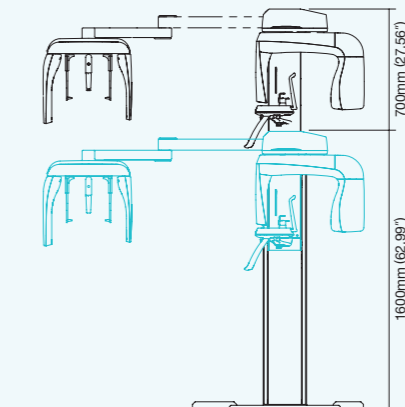
### FRONT VIEW



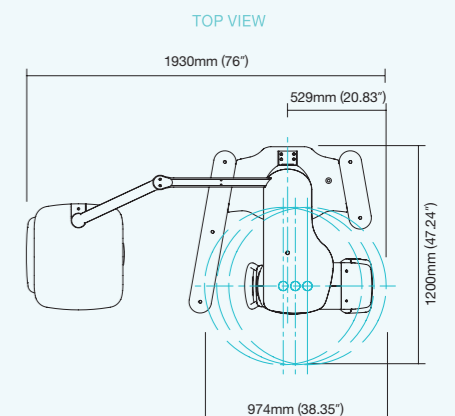
### PaX-i Pano/ Scan Ceph



### FRONT VIEW



### PaX-i Pano/ One Shot Ceph



### FRONT VIEW

